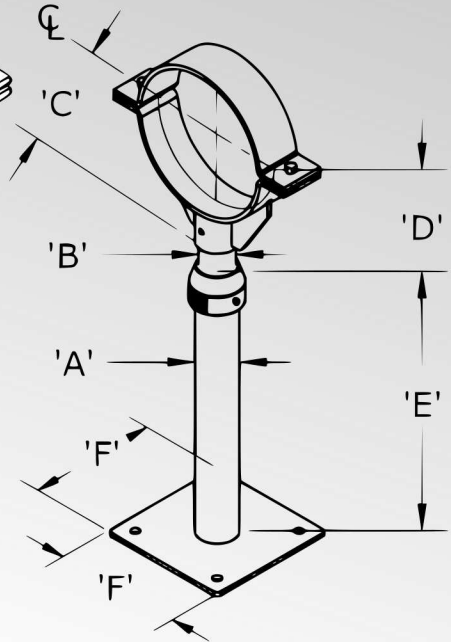
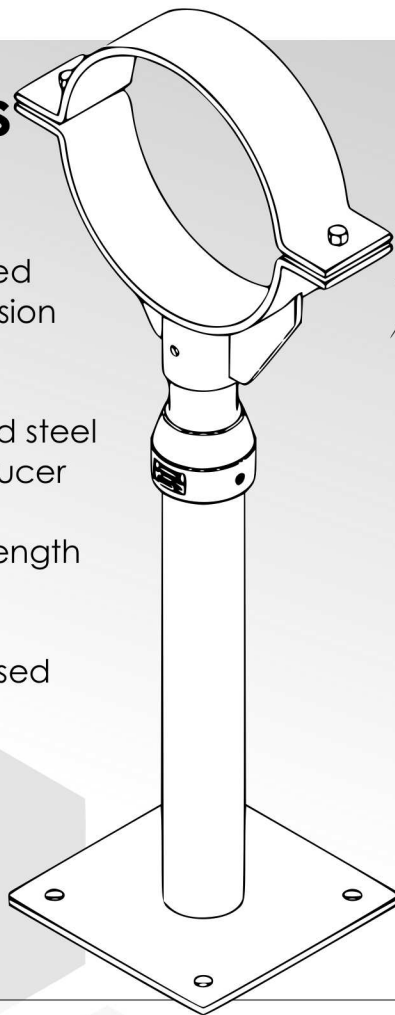


Clamp Supports

- Available in Hot-Dip Galvanized or 316 Stainless Steel for corrosion protection
- Adjuster is machined from solid steel
- not a modified cast iron reducer
- Base can be cut to required length in the field.
- 1/2" Stainless set screws are used to secure support assemblies



Heavy Duty Adjustable Clamp Pipe Support

PART NO.	PIPE SIZE	"A"	"B"	"C"	"D"	"E"	"F"
PS-250-025C	2 1/2"	2 1/2"	1 1/2"	5 3/8"	5 3/8" TO 10 3/8"		8 1/2"
PS-250-03C	3"	2 1/2"	1 1/2"	5 7/8"	5 7/8" TO 10 7/8"		8 1/2"
PS-300-04C	4"	3"	2 1/2"	7 1/4"	7 1/4" TO 12 1/4"	Available in:	12"
PS-300-06C	6"	3"	2 1/2"	9 3/8"	9 3/8" TO 14 3/8"		12"
PS-300-08C	8"	3"	2 1/2"	11 1/2"	11 1/2" TO 16 1/2"	24"	12"
PS-300-10C	10"	3"	2 1/2"	13 1/2"	13 1/2" TO 18 1/2"		12"
PS-300-12C	12"	3"	2 1/2"	15 7/8"	15 7/8" TO 20 7/8"	30"	12"
PS-400-14C	14"	4"	3"	17 1/2"	17 1/2" TO 24 1/2"	36"	13 1/2"
PS-400-16C	16"	4"	3"	19 1/2"	19 1/2" TO 26 1/2"		13 1/2"
PS-600-18C	18"	6"	4"	21 1/2"	21 1/2" TO 28 1/2"	48"	18"
PS-600-20C	20"	6"	4"	23 1/2"	23 1/2" TO 30 1/2"		18"
PS-600-24C	24"	6"	4"	27 1/2"	27 1/2" TO 34 1/2"		18"



**Adjustable
Pipe
Supports.com**

info@adjustablepipesupports.com

888-277-2985

1650 Linda Vista Drive
San Marcos, CA 92078